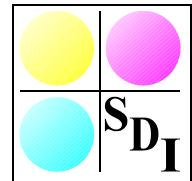


# SDI CGM Office

Desktop CGM viewing, printing and conversion

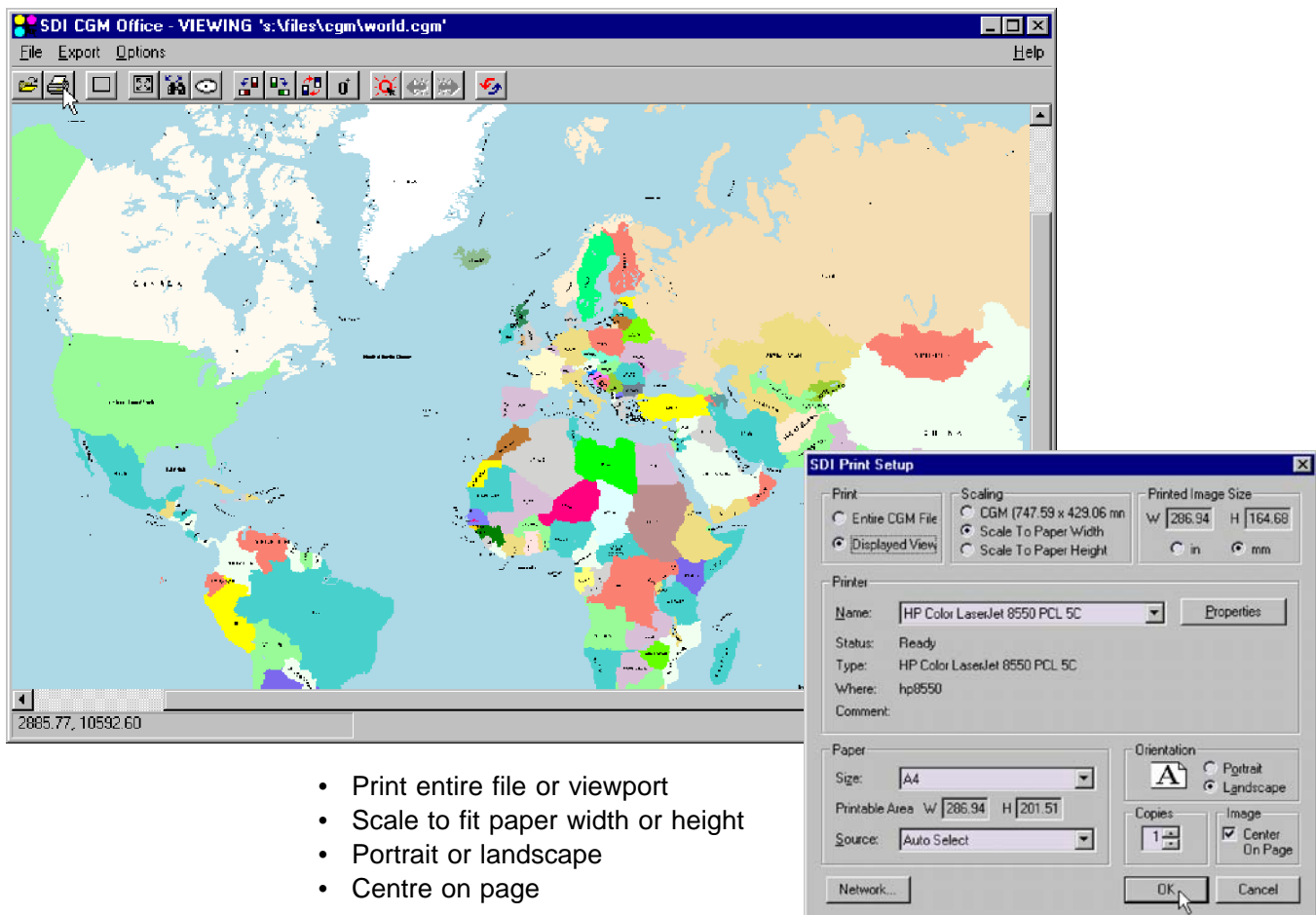
www.sdicgm.com

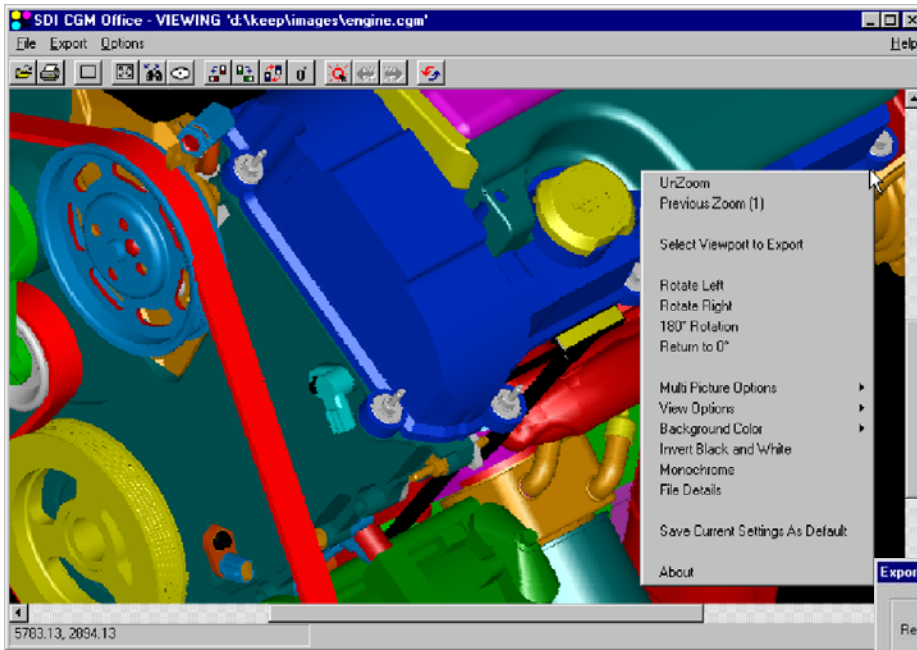


## View CGM files on your desktop PC with SDI CGM Office

**SDI CGM Office** is a cost effective utility for MS Windows users who need to work with CGM files from the popular Geoscience, GIS, Engineering and CAD applications. View, zoom and pan CGM, CGM ATA, CGM+, CGM\*PIP, PDF, PS, EMF, HPGL, DWG/DXF, CALS, BMP, PNG, TIFF, JPEG and XWD and copy and print files to any MS Windows compatible application or hardcopy device.

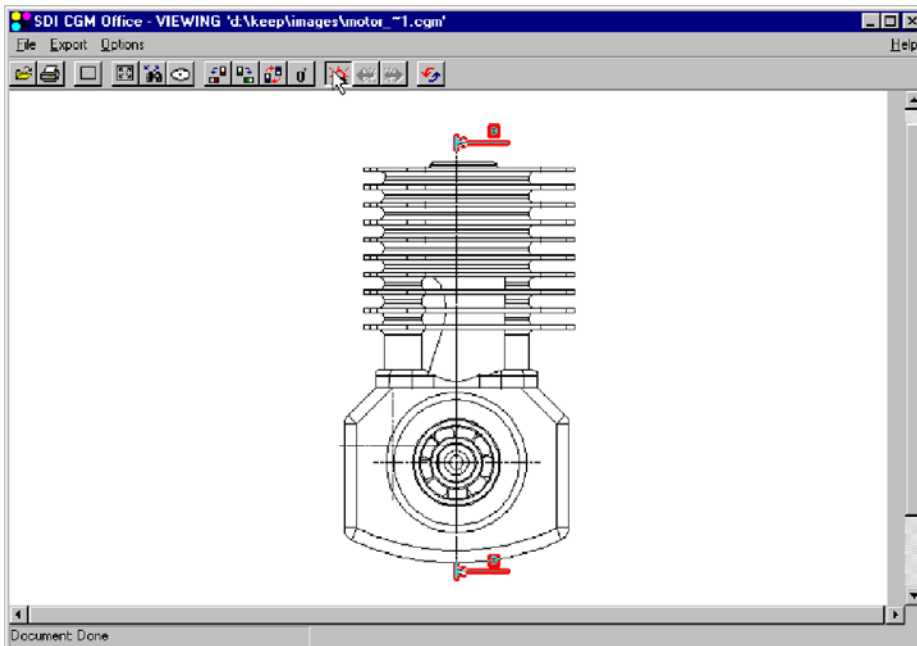
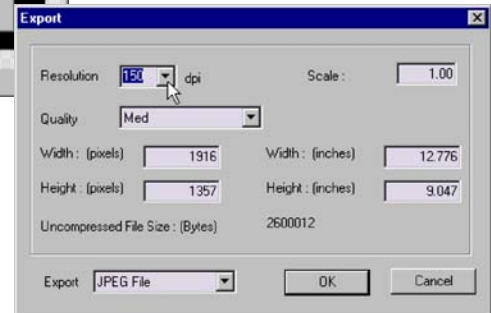
- ✓ View CGM, PDF, PS, EMF, HPGL, DWG/DXF, CALS, BMP, PNG, TIFF, JPEG and XWD files
- ✓ Supports CGM Versions 1 - 4 and WebCGM; CGM ATA, CGM+ and CGM\*PIP profiles
- ✓ Supports WebCGM and CGM V4 Hot Spots
- ✓ Zoom and scroll facilities
- ✓ Detailed view
- ✓ Rotate in 90° increments
- ✓ Can be set as the default viewer for CGM files
- ✓ Copy and paste all, or a selected viewport of a file into other applications, e.g. MS Word, Canvas, etc.
- ✓ Save and export file as CGM, EMF, PDF, PS, DWG/DXF, SVG, BMP, PNG, TIFF or JPEG.
- ✓ Print viewed files using your standard MS Windows print options. Simply select File/Print; the MS Windows software executes the rendering task without the need for additional programs or conversion utilities
- ✓ Supported on MS Windows 95, 98, NT, 2000 & XP





Select Viewport to copy

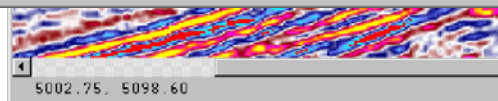
- Save to Clipboard
- Export as CGM, EMF, PDF, Post-Script, DWG, DXF, SVG, TIFF, JPEG, PNG, BMP
- Scale
- Width/Height in Pixels
- Width/Height - Actual Size



View WebCGM and CGM V4 Hot Spots



View CGM+ and CGM\*PIP files



**System Development, Inc. - SDI**

SDI - UK

7 Tonbridge Chambers, Pembury Rd.  
Tonbridge, Kent, TN9 2HZ  
Tel: +44 1732 369988  
Fax: +44 8700 526967

SDI - USA

11111 Richmond Ave.  
Houston, TX77082  
Tel: +1 713 266 5667  
Fax: +1 713 974 4911

SDI - China

Xingyuan International Apartment, 222  
Wangjing xiyuan Beijing  
Tel: +8610 6475 7653  
Fax: +86 10 6475-7553

